



## Full Extension Drawer Slides

### SPECIFICATIONS

**Collection Name:** Slides

**Type:** Hardware

**Purpose:** File/Paper Storage/Standard Drawers

**Action:** Steel Ball Bearings

**Load Rating:** 200-Pound Class

**Finish:** Zinc Plated (ZC)

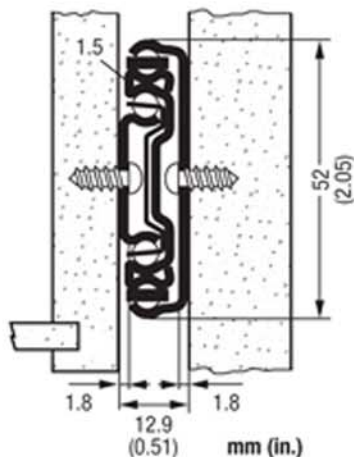
**Height:** 2-1/32"

**Length:** 9.84", 11.81", 13.78", 15.75", 17.72, 19.69", 21.65", 23.62", 25.59, & 27.56"

**Width (Clearance):** 1/2" plus 1/32" minus 0" each side

**Mounting Height:** 1"

**Other:** Positive Stop, Stay-Close Design, Finger release disconnect



12.9 mm (0.51 in.) is the actual size of the slide.  
Allow a min. of 13.1 mm (0.52 in.) for clearance.

