



Wood-Metal Industries
A Division of Wood-Mode Incorporated

Model #SB ___ - ___
Model #GB ___ - ___

Spray/Glazing Booth

SPECIFICATIONS

Section Name: Art

Section Number: 7

Type: Spray (SB) / Glazing Booth (GB)

Accessories: Specify Blower, Switch, Light Separately

Material: 18 Gauge Steel w/Epoxy Coated Finish

Finish Colors: See Chart Below

Width: 24", 30", 36", 48" & 60" (e.g. SB24, GB48, etc...)

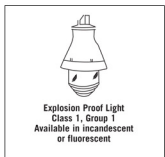
Depth: 23.5"

Height: 48"

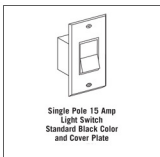
Other: Designed to sit on top of a Chem-Resistant C-Top/Base Cabinet (Not Included)
Specified if a Pre-wired unit is Required. Ducting not Included.

Suffix the Model number for the following: **-PB** Standard Booth, **-XPB** Explosion-Proof Light, **-PBW** Standard Booth w/Blower, **-XPBW** Expl-Proof Light w/Blower (e.g. SB24-XPB, GB48-XPBW, etc...)

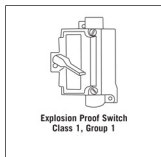
Airflow CFM @ 100 FPM - 24" 472, 30" 613, 36" 755, 48" 1040, & 60" 1322.



Explosion Proof Light
Class 1, Group 1
Available in incandescent
or fluorescent



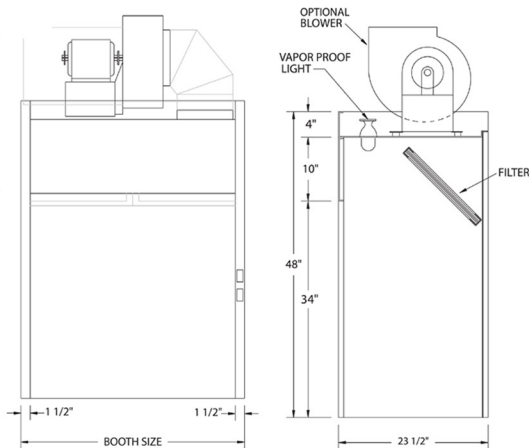
Single Pole 15 Amp
Light Switch
Standard Black Color
and Cover Plate



Explosion Proof Switch
Class 1, Group 1

All Spray/Glazing Booths are fabricated of 18-gauge steel with a corrosion resistant, powder coat baked epoxy finish. The upper booth enclosure includes a standard vapor-proof light as well as two filters set in an easy-to-change flange bracket system. The globed interior light is mounted and wired to a common junction box. As with all products, the light fixture is shipped with bulbs, standard.

The optional blower motor operates at an RPM designed to provide 100 LFM and approximately 34" of static pressure. If the blower is ordered, it will be mounted on top and wired to the common junction box. The transition piece from the booth to blower will be provided and connected. Both the light and the blower can be pre-wired to switches in the front post area of the booth when required.



These reproductions of the standard colors may vary from actual finished products. If color match is critical, actual samples on metal can be supplied upon request.

Special match colors can be supplied when specified. Please contact the Air Master Systems Corporate Office for pricing information.

