



120° Concealed Hinge

SPECIFICATIONS

Collection Name: Hinges

Type: Hardware

Purpose: Allows 120° Hinging Access of Doors

Common Uses: Doors

Manufacturer/Model: Blum/71T5580

Finish: Nickel

Length: See Below

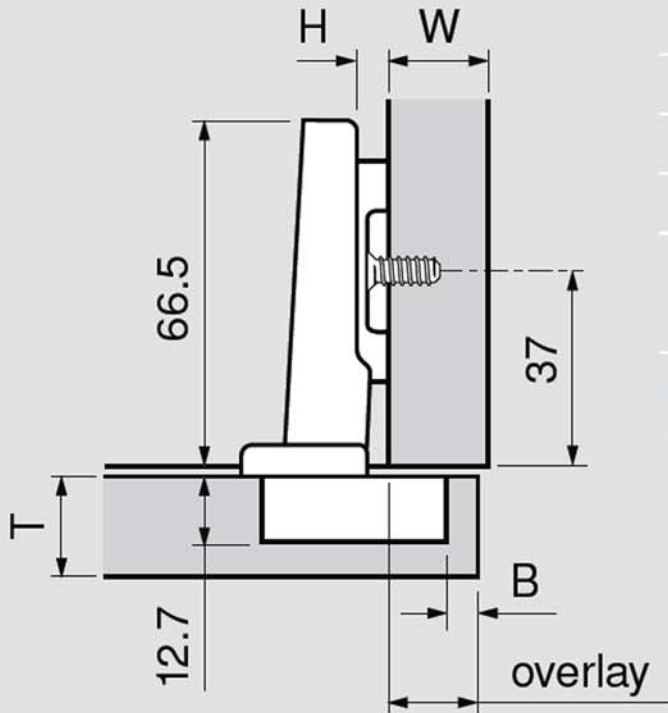
Width: See Below

Projection: See Below

Other: All Blum hinges meet or exceed ANSI/BHMA A156.9-2001 grade 2 requirements. Available in Blumotion by Special Request Only



Panel



H	Overlay				P	S
0	14	15	16	17	11.5	20.5
3	11	12	13	14	14.5	23.5
4.5	9.5	10.5	11.5	12.5	16	25
6	8	9	10	11	17.5	26.5
9	5	6	7	8	20.5	29.5
	3	4	5	6	Fixed distance = 11	
	B = boring distance					

NOTE: 4.5 plate is only for use in face frame cabinets, 9 plate is only for panel cabinets

Opening Force:
Average: 5.3N (1.32lbf)
Min: 1.7N (.382lbf)
Max: 7.1N (1.59lbf)

Stay Close Force:
Average: 2.3N (.517lbf)
Min: 1.5N (.337lbf)
Max: 3.5N (.786lbf)

