



Standard Lock Assembly

SPECIFICATIONS

Collection Name: Locks & Accessories

Type: Hardware

Purpose: Cabinet Security

Common Uses: Doors & Drawers

Finish: Dull Chrome

Length: See Below

Width: See Below

Projection: See Below

Other: Includes (2) Keys, Removable Core, Hex Nut, Cam
Available Single/DbL Door/Drawer, Left/Right Hinging,
ANSI/BHMA 156.9 Grade 1 compliant

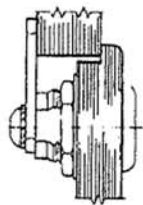
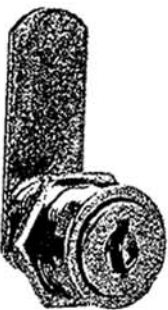
Keying Requirements:

*Keyed Alike

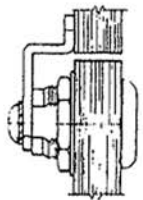
*Keyed Alike/Room, Each Room/Diff, MK

*Keyed Different, MK

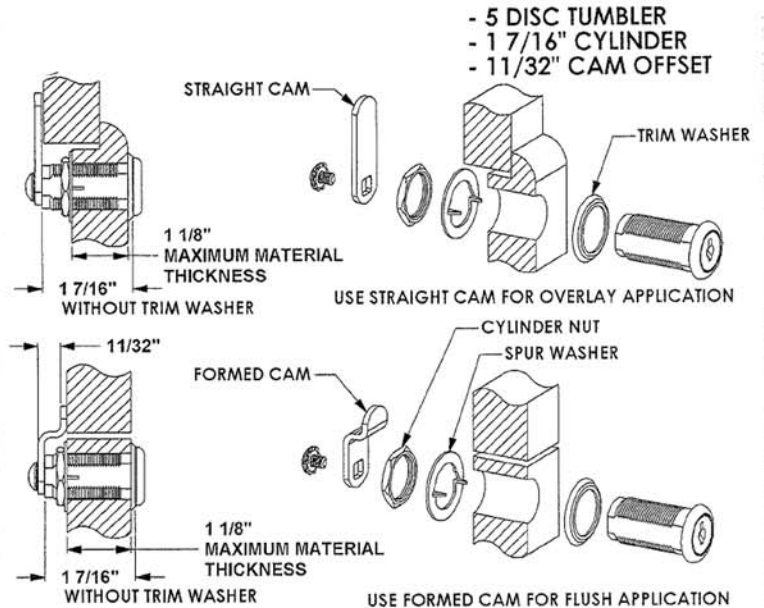
(Grandmaster Keying Only Upon Request)



LIPPED DOOR OR DRAWER



FLUSH DOOR OR DRAWER

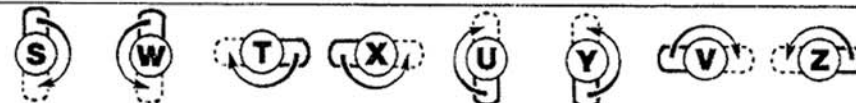


CAM MOVEMENT

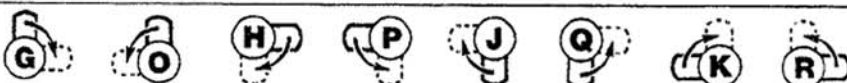
TYPE 1-90° CAM TURN
Key removable in locked position only



TYPE 2-180° CAM TURN
Key removable in both locked and unlocked positions



TYPE 3-90° CAM TURN
Key removable in both locked and unlocked positions



As viewed facing lock
Solid lines show locked position; dotted lines show unlocked position.
Select letter for desired cam turn.