



Wood-Metal Industries
A Division of Wood-Mode Incorporated

Part #stdblk

Standard Lock Assembly

SPECIFICATIONS

Collection Name: Locks & Accessories

Type: Hardware

Purpose: Cabinet Security

Common Uses: Doors & Drawers

Finish: Dull Chrome

Length: See Below

Width: See Below

Projection: See Below

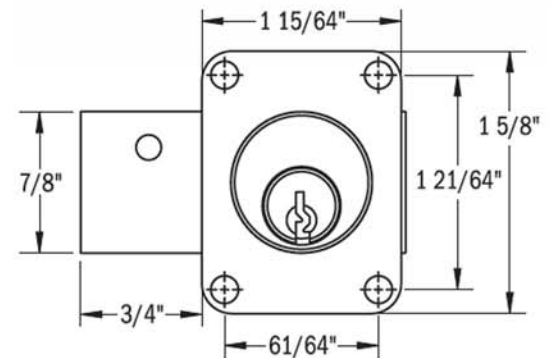
Other: Includes (2) Keys, Removable Core, Hex Nut, Cam
Available Single/Dbl Door/Drawer, Left/Right Hinging,
ANSI/BHMA A156.11-2004 compliant (E07121 for Doors,
E07041 for Drawers)

Keying Requirements:

*Keyed Alike

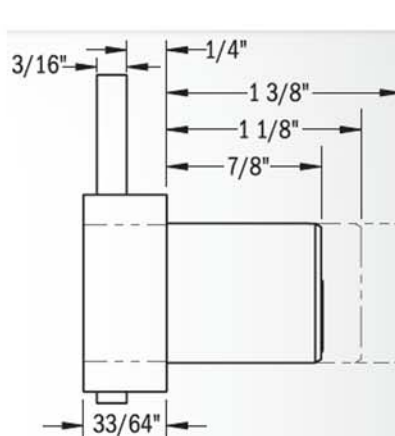
*Keyed Alike/Room, Each Room/Diff, MK

*Keyed Different, MK



Door application

BHMA CERTIFIED DEAD BOLT CABINET LOCKS



Drawer application

Grade 1 Features

- ◆ Door version (E07121 - lock type designation)
- ◆ Drawer version (E07041 - lock type designation)
- ◆ Made to order
- ◆ Available in KA, KD, MKKD & MKKA
- ◆ Grade 1 cycle test minimum requirements: 40,000
- ◆ Grade 1 Bolt Strength Load requirements: 500 lbf
- ◆ Made to order