



Standard 3-Pt Latch Assembly

SPECIFICATIONS

Collection Name: Locks & Accessories

Type: Hardware

Purpose: Cabinet Security

Common Uses: Tall Right-Hand Doors

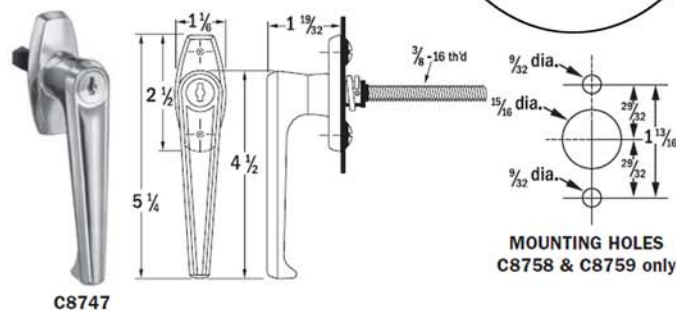
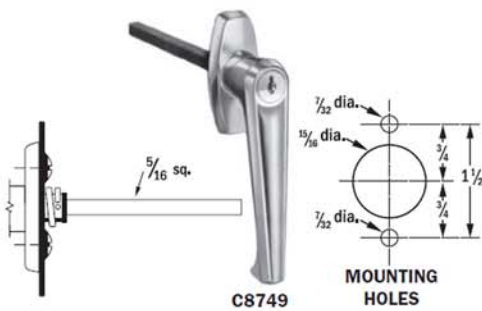
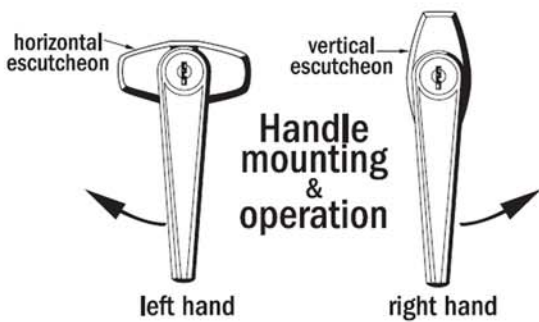
Finish: Dull Chrome/Satin Nickel

Length: See Below

Width: See Below

Projection: See Below

Other: For a Locking Handle refer to #std3ptlk Cutsheet



APPLICATION - For doors on metal lockers and cabinets. For R.H. doors, install with escutcheon vertical. For L.H. doors, install with escutcheon horizontal. See above drawings. Choice of spindle lengths and mounting. Spindles accept both C8756 latch plate and C8757 tongue except C8747 which has 8-32 tapped end hole and C8749 which will accept only the C8757 tongue. Spindles can be cut to fit special requirements.

OPERATION - Key removable in both locked and unlocked positions.

KEYING - Will key together with all other disc tumbler locks using D8785 key blank. See table for available keying.

PACKAGING - Supplied with two keys (except C8755) and mounting hardware.

